



建德工業股份有限公司  
KENT INDUSTRIAL CO.,LTD.

規格 Specification		單位 unit	KGS-618S	
能力 Capacity	工作台工作面積 Overall table working area	mm.	460*150	
	左右最大移動量 Longitudinal table travel	mm	475	
	前後最大移動量 Cross feed table travel	mm	185	
	工作台面至主軸中心最大距離 Distance between center to table	mm	380	
	工作台最大承載重量(含電夾) Table load including magnetic chuck	kgs.	120	
工作台 Table	工作台T型槽 T-slot	mmxN	14*1	
	前後手輪進刀 Cross feed hand wheel	一格 1 gra	mm	0.01
		一回轉 1 rev	mm	3
砂輪 Grinding Wheel	砂輪尺寸 Wheel Dimension	mm.	180*6~20*31.75	
	主軸轉速 Spindle speed	50 Hz	rpm	2850
		60 Hz	Rpm	3360
主軸上下 Spindle head	上下手輪 Vertical hand wheel	一格 1 gra	mm.	0.005
		一回轉 1 rev	mm	1
	馬達 Motor	主軸馬達 Spindle Motor	HP x P	2
沖水馬達(選配) Coolant motor (Optional)		HP x P	3/4	
吸塵馬達(選配) Dust collection motor(optional)		HPx P	1/8	
尺寸 Size	機器高度 Machine height	mm.	1995	
	佔地面積 Floor space	mm.	1800*1200	
	淨重 Net Weight	Kgs.	700	
	毛重 Gross weight	Kgs.	850	

註:本資料僅供參考,製造商保留隨時變更設計、規格、及結構之權利。  
Note: Design and specification are subject to change without prior notice.

**KENT** 建德工業股份有限公司  
KENT INDUSTRIAL CO.,LTD.

#### HEAD OFFICE

13/F., No. 27, Lane 61, Sec. 1, Kwang Fu Rd., San  
Chung Dist, New Taipei City 241, Taiwan.  
TEL: +886-2-29951425 FAX: +886-2-29950292  
http://www.kentind.com e-mail: sales@kentind.com

#### DOULIU FACTORY

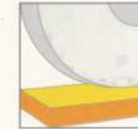
No. 17, Dou-Kung 9th Rd., Dou Liu Expanded Industrial  
Park, Dou Liu City, Yun-Lin Hsien, Taiwan.  
TEL: +886-5-5575356 FAX: +886-5-5575136

#### CHINA FACTORY

No. 58, Jianshe Second Road, Xiaoshan Economic & Technology  
Development Zone, Hangzhou City, Zhejiang, China.  
TEL: 86-571-8283-1781 FAX: 86-571-8283-1780

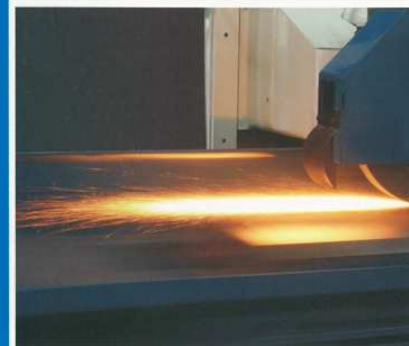
#### KENT INTERNATIONAL USA, INC.

14161 Albers Way, Chino, CA 91710  
TEL: 909-393-9100 FAX: 909-393-5678

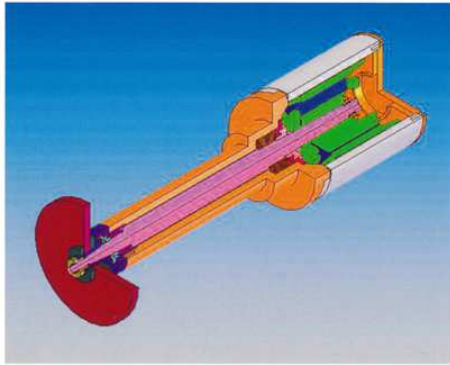


精密平面磨床 PRECISION SURFACE GRINDER

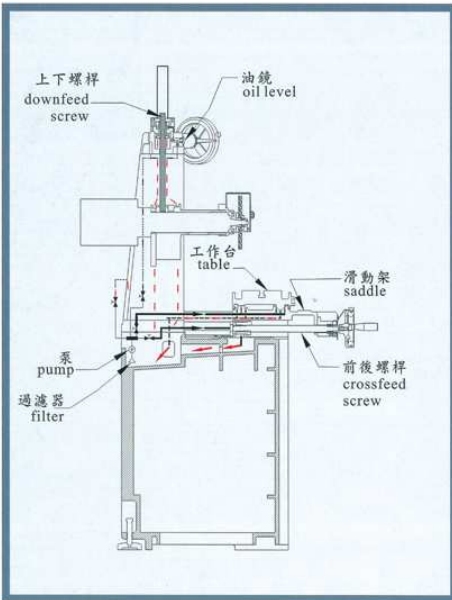
Model: KGS-618S



機械特點 Features



彈筒式主軸:砂輪主軸與馬達一體設計  
Cartridge type spindle: Integrated design of wheel spindle and spindle motor.



潤滑油迴路圖 Diagram of lubrication

■高剛性立柱 High Rigidity Column

鑄件採用高強度鑄鐵，充分退火不變形，立柱H型高剛性結構，主軸不會震動，確保工作物精度。High strength and high quality cast iron, complete annealing to prevent deformation, with H shape high rigidity construction and vibration free spindle to ensure grinding precision.

■工作台及鞍座 Working Table & Saddle

前後鞍座導軌為雙V型，並貼有鐵弗龍(Teflon)防磨滑片，配合人工精密鏟花，增長壽命及研磨精度。Double "V" Saddle cross slideways coated with low friction lasting "Turcite-B" and precision scrapping for reliable and grinding precision.

■直結式主軸 Direct Drive Spindle

主軸前端使用超精密(P4)級 滾珠軸承，軸端偏擺在 $3\mu$ 以內，經過嚴格之選配預壓，確保主軸的使用壽命和研磨品質。With high precision bearings accurately paired and preloaded in front of spindle to ensure the spindle life and grinding quality. Spindle runout is below  $3\mu$ .

■自動潤滑系統 Auto lubricating system

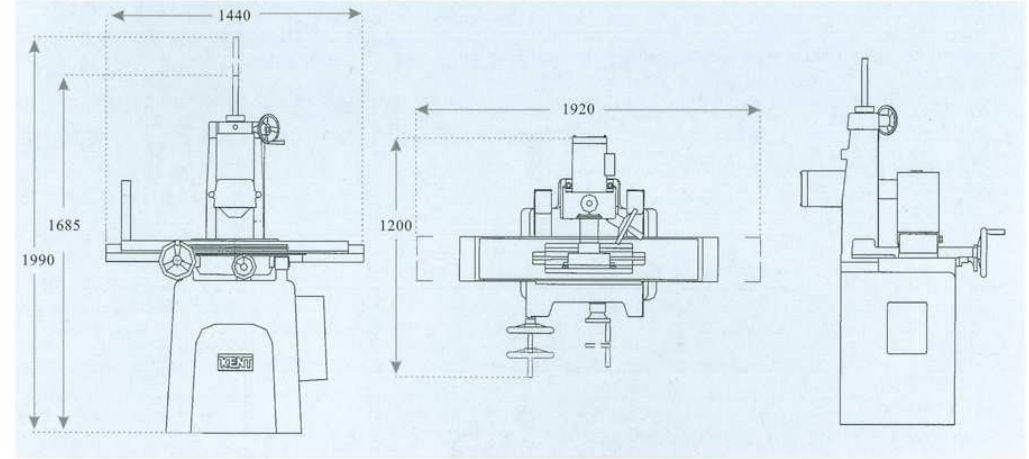
採用電磁泵自動潤滑系統，強制及不斷的循環所有的導軌，手感輕並降低磨損，以確保機器使用壽命。Auto lubrication system provides continuous lubrication for all slideways to reduce the wear out.

■左右驅動系統 Longitudinal driving system

以特殊鋼索傳動、輕快、精密度高、不會震動。Longitudinal is driven by special wire rope, movern light & fast, no vibration occurred.

■附件齊全 Complete accessories

配備齊全，尤其適合I.C. 塑膠模具換成型模具之研削。Completed accessories, special for grinding I. C. Mould, Plastic & Press mould.



標準配件

Standard accessories



- |             |                          |
|-------------|--------------------------|
| ① 砂輪法蘭      | Wheel flange             |
| ② 砂輪        | Grinding wheel           |
| ③ 鑽石修刀      | Diamond dresser          |
| ④ 腳墊盤及腳螺絲   | Levelling pad & screws   |
| ⑤ 砂輪平衡台及平衡棒 | Wheel balance base & bar |
| ⑥ 工具及工具箱    | Tools & tool box.        |
| ⑦ 石英工作燈     | Working light            |

特殊配件

Optional accessories

- |  |  |                               |
|--|--|-------------------------------|
| 1. 永久磁盤<br>Permanent magnetic Chuck      | 4. 單用吸塵裝置<br>Dust Collector system     | 7. 光學尺<br>Digital read-out    |
| 2. 可傾式永久磁吸盤<br>Inclinable magnetic chuck | 5. 脫磁器<br>Demagnetizer                 | 8. 砂輪法蘭<br>extra wheel flange |
| 3. 冷卻沖水裝置<br>Coolant System              | 6. 微調裝置 ( $1\mu$ )<br>Microfeed system |                               |